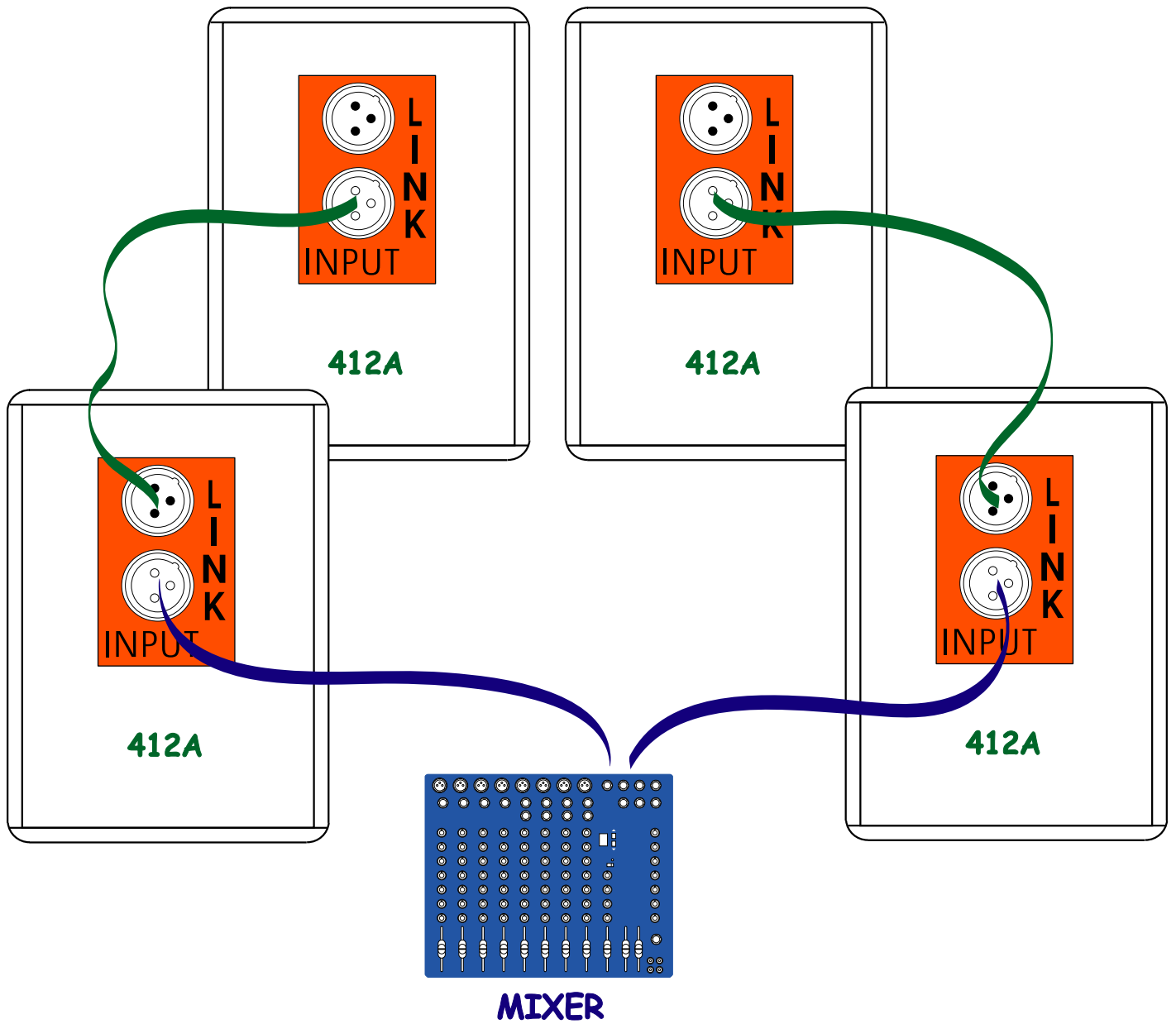




Parallel connection of two or more 412A

always use balanced shielded cables



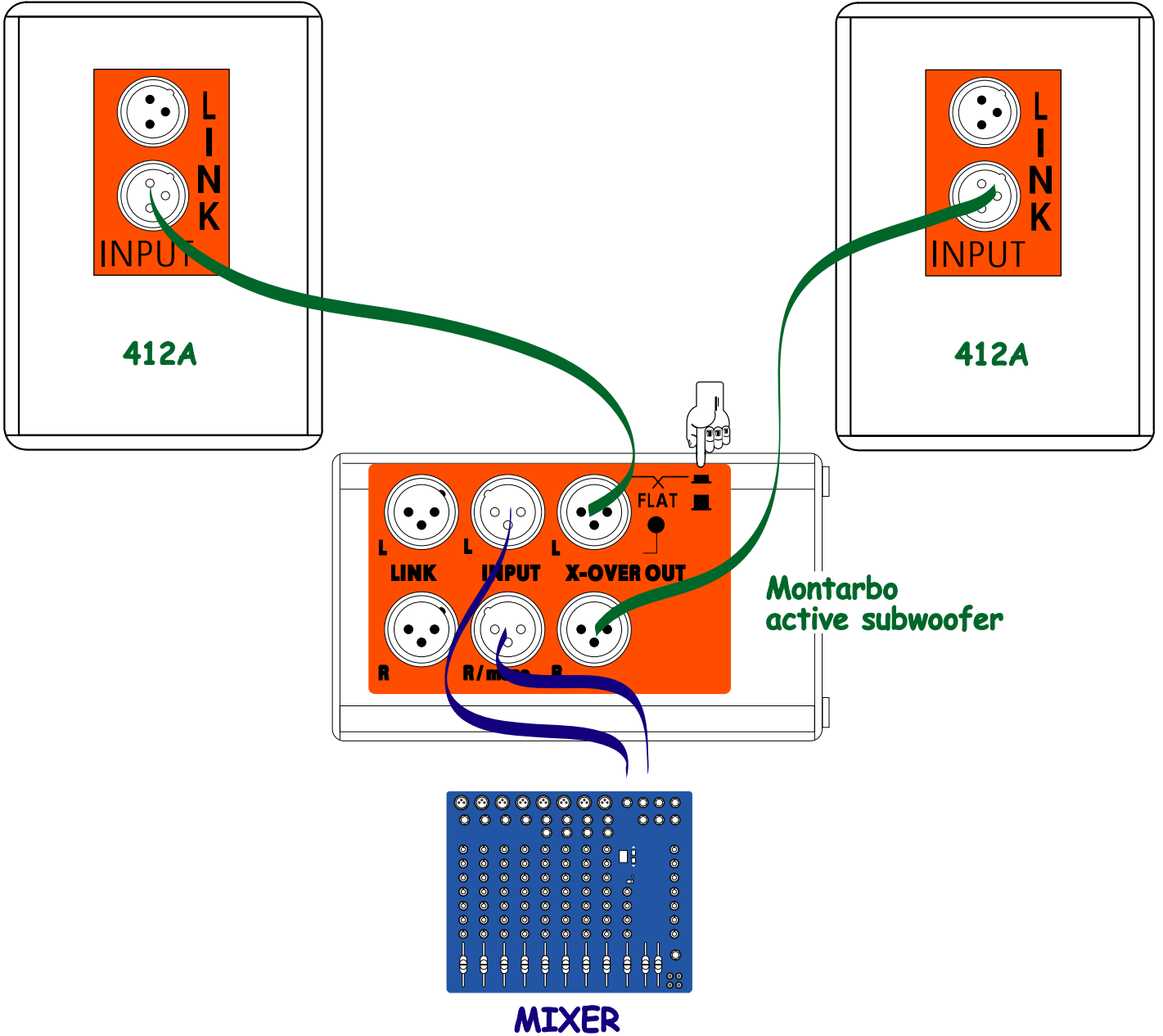
MIXER L/R OUTPUTS → 412A INPUTS

412A OUTPUTS → INPUTS of other 412A



Two 412A + one active subwoofer

always use balanced shielded cables

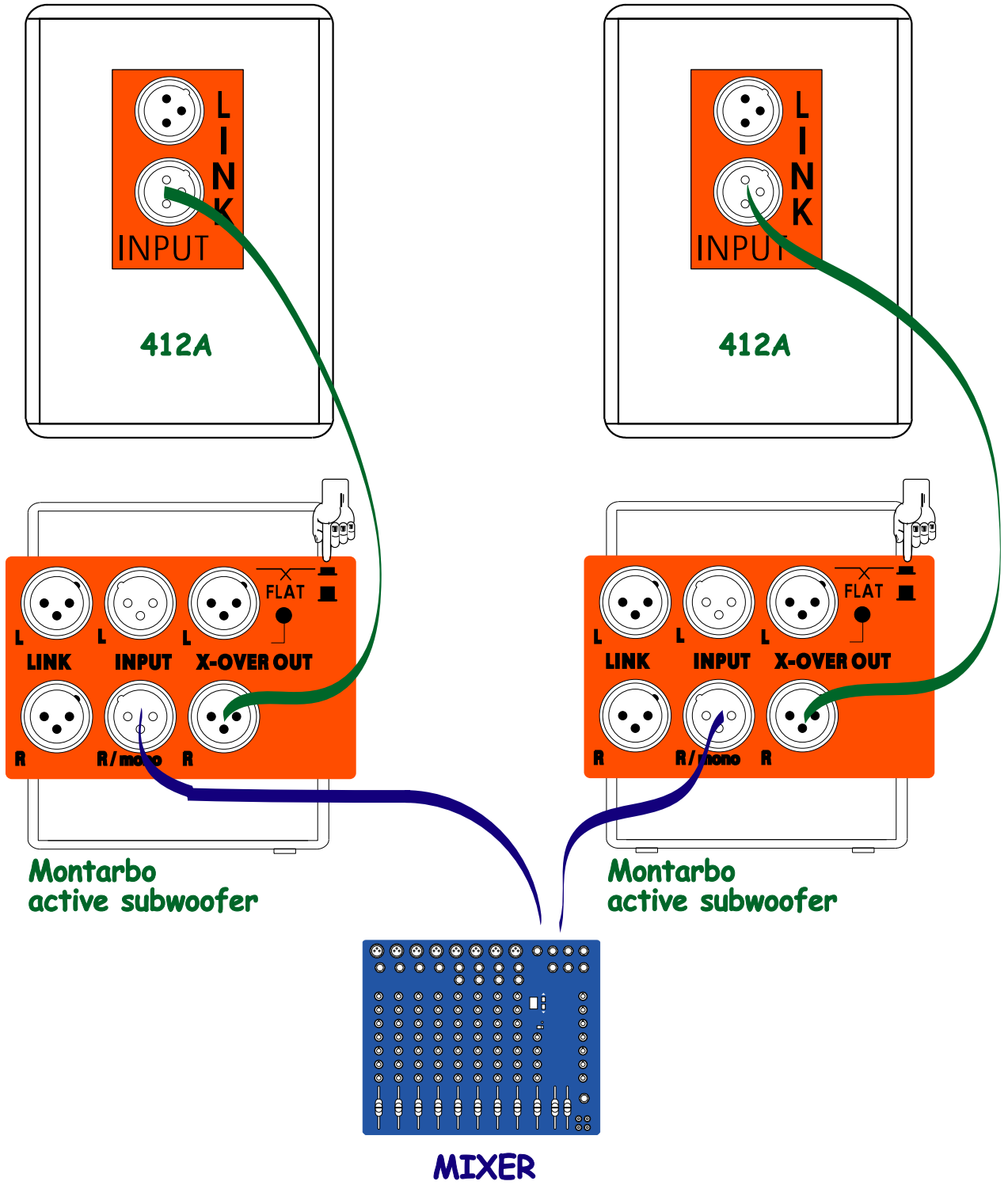


MIXER L/R OUTPUTS → SUBWOOFER L/R INPUTS
 SUBWOOFER L/R 'X-over' OUTPUTS → 412A INPUTS



Two 412A + two active subwoofers

always use balanced shielded cables



MIXER L/R OUTPUTS → SUBWOOFERS 'R/mono' INPUTS
 SUBWOOFERS 'R' X-over OUTPUTS → 412A INPUTS