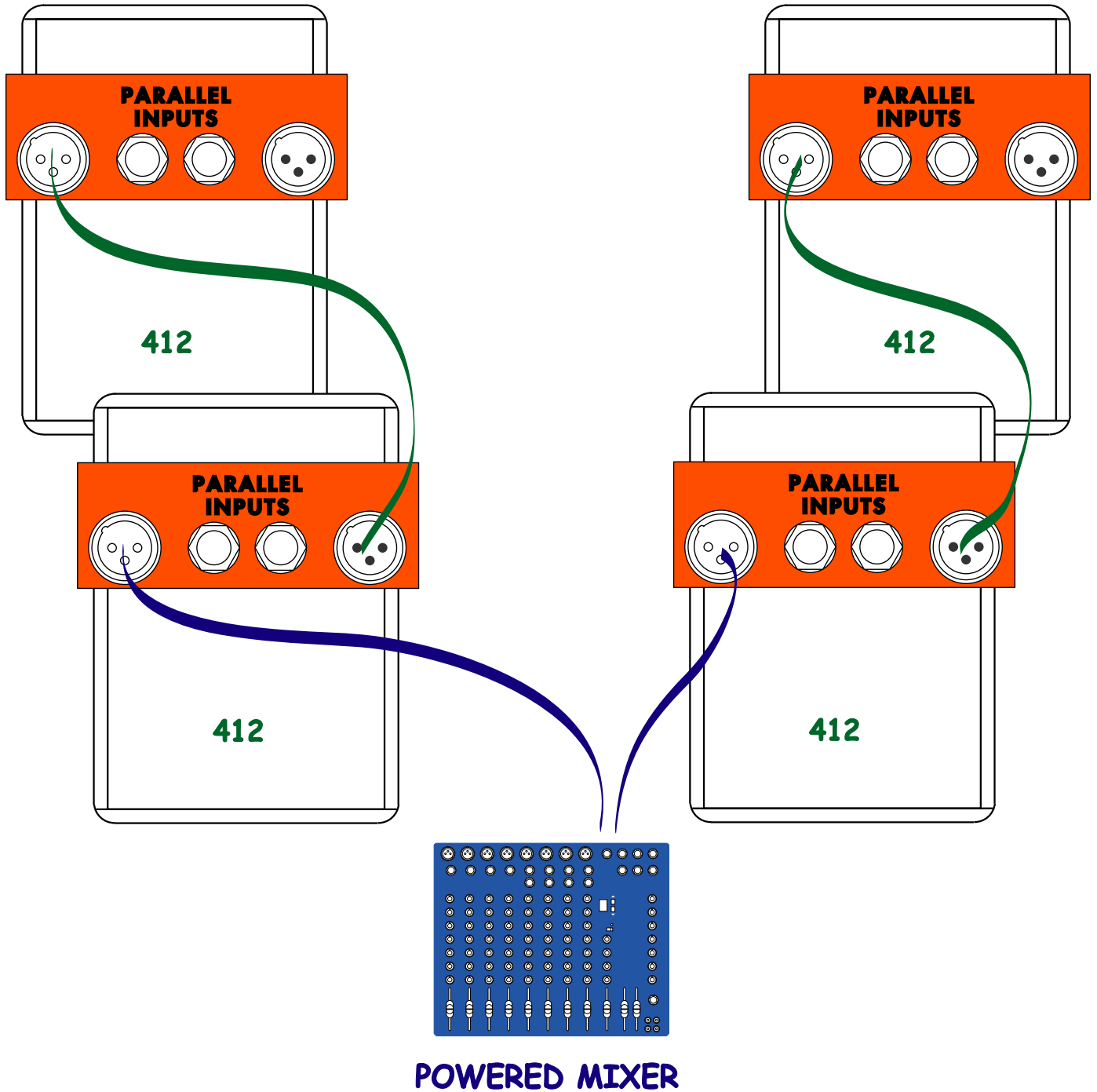




Parallel connection of two or more 412

use only loudspeaker cables (unscreened)

use either Jack or XLR connectors



MIXER L/R POWERED OUTPUTS → 412 INPUTS
 412 INPUTS → INPUTS of other 412

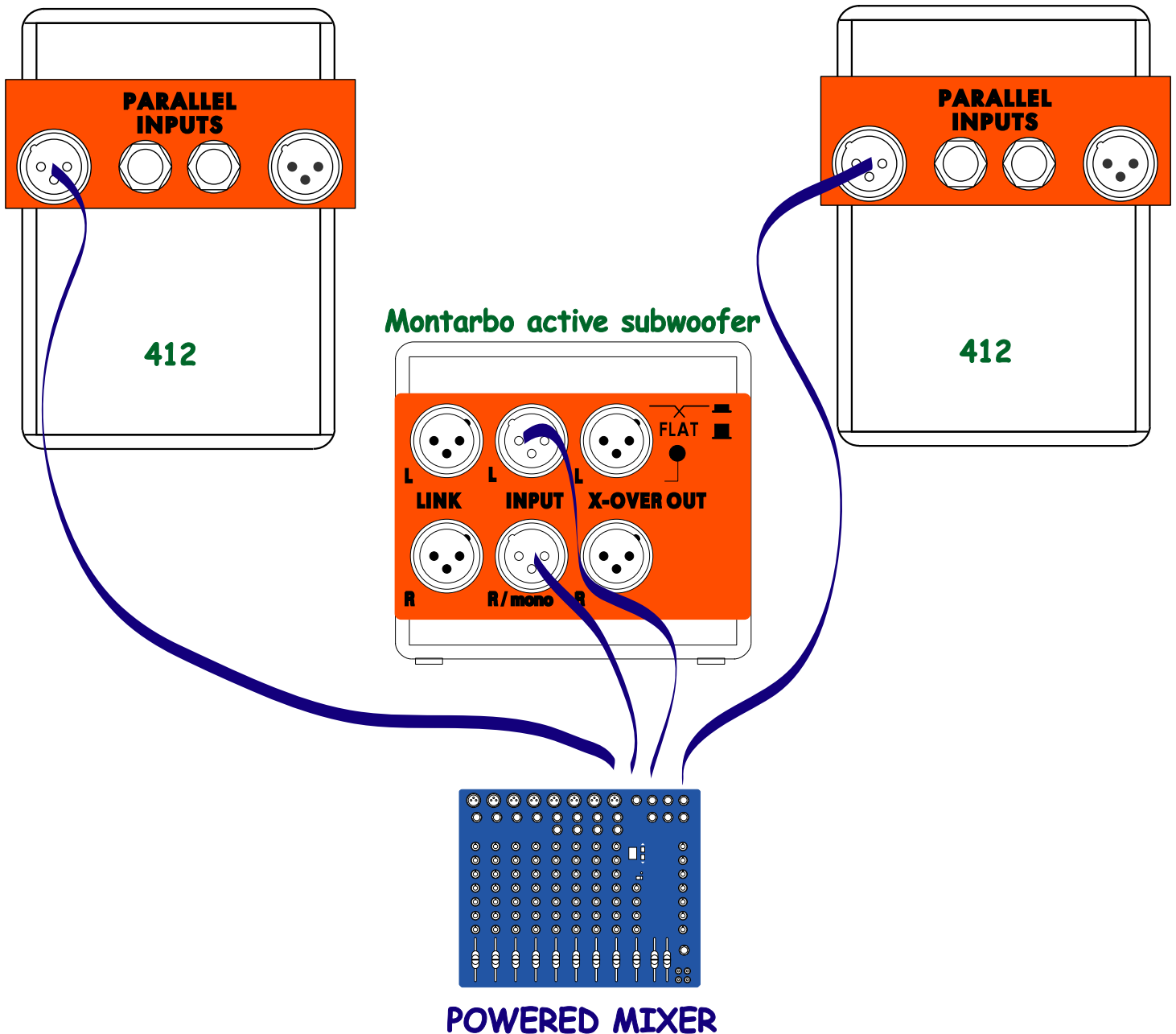


Two 412 + one active subwoofer

for the connection to the 412 use only loudspeaker cables (unscreened)

for the connection to the subwoofer always use balanced shielded cables

412: use either Jack or XLR connectors



MIXER L/R POWERED OUTPUTS → 412 INPUTS

MIXER L/R NON POWERED OUTPUTS (insert out) → ACTIVE SUBWOOFER INPUTS