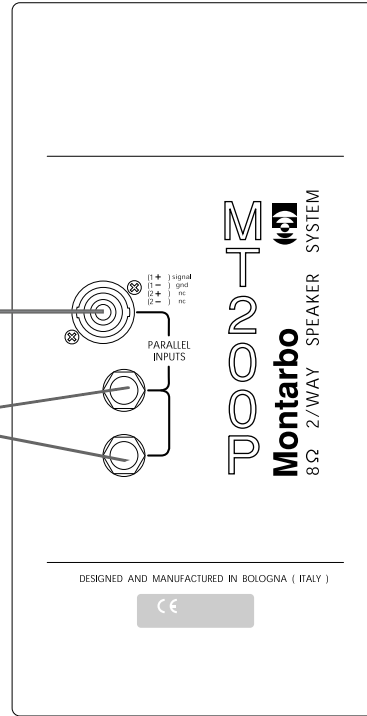


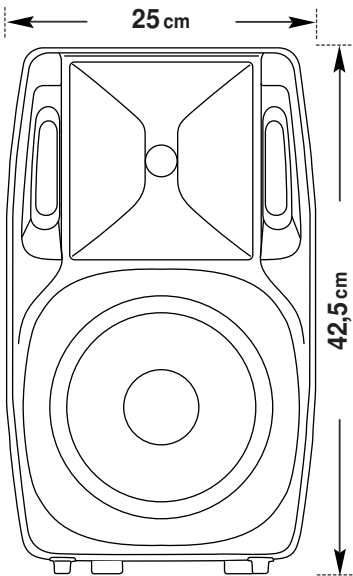


Neutrik Speakon® connector: this is the better choice for critical installations, because the locking connector avoids accidental disconnection.

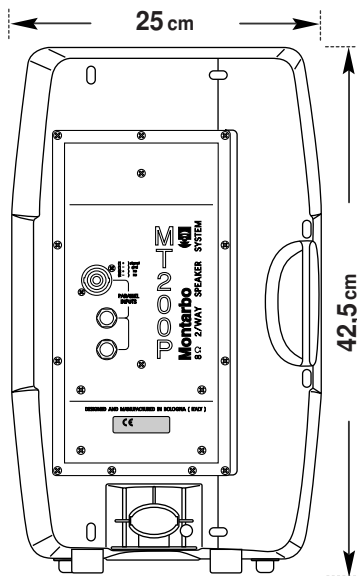
Input/link jack sockets (parallel connected): they are best suited as for mobile (touring) applications or when it is expected to frequently disconnect the system.



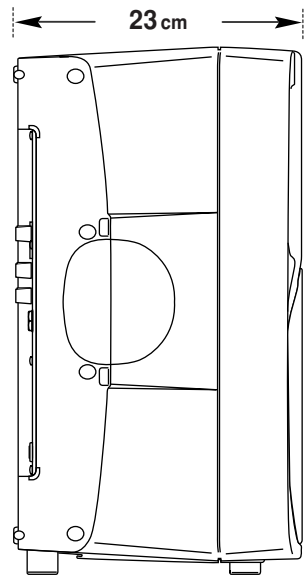
Front view



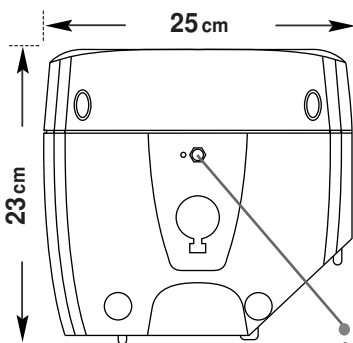
Rear view



Side view

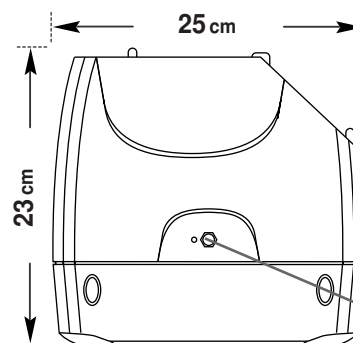


Bottom view



Mounting hardware: threaded insert 8 M

Top view



Mounting hardware: threaded insert 8 M