

# MT360A

**Input level control.**  
It is the master volume control.  
(It also allows to adjust the volume of the system when it is used in parallel with others).

**Balanced INPUT, with adjustable sensitivity (microphone -40dB / 2kΩ or line 0dB/20kΩ), fitted with a Neutrik Combo® connector which accepts both 3 pin XLR and stereo jack plugs.**

**Peak LED indicator.**

**Input sensitivity switch (mic when pushed in).**

**Equalization control.**  
It allows to change the response curve of the system depending on the requirements of each different application. This enables optimizing the MT360A's working condition for each specific requirement whether it is used for example in a conference hall, on stage for monitoring and many other situations.

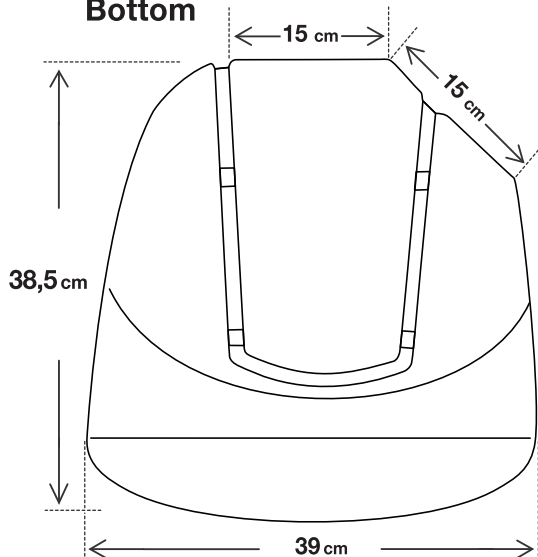
**Balanced OUTPUT, using a 3 pin XLR connector.**  
It allows for easy parallel connection of other active speaker systems.

'Flat/↘' equalizer switch: in the '↘' it adjusts the low frequency response for use as a stage monitor.

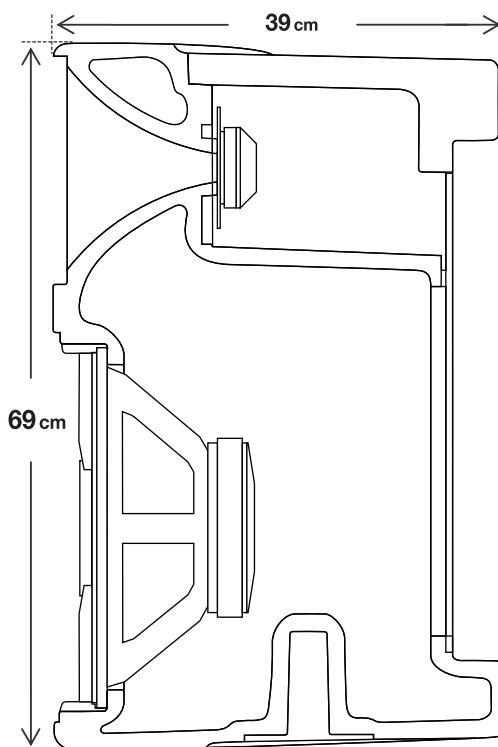
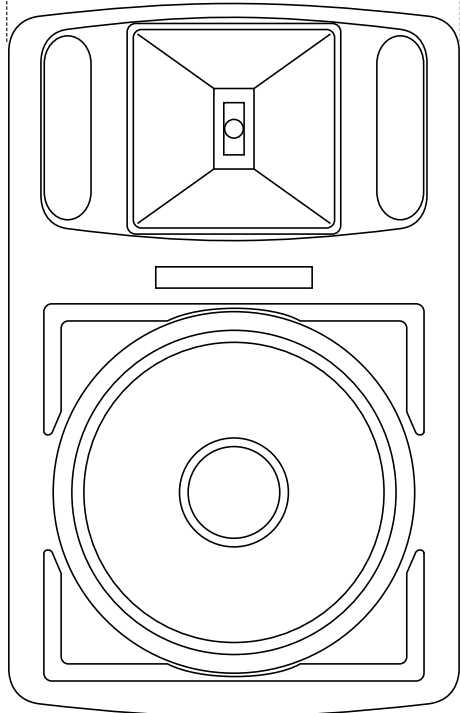
'Spk / 🎵' equalizer switch: in the 'spk' (speak) position it optimizes the response for voice reproduction, by a boost of the mid-high frequency range.



**Bottom**



**Front**



**Side**