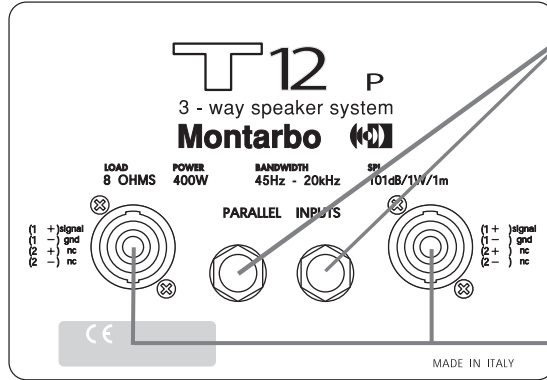




# T12P

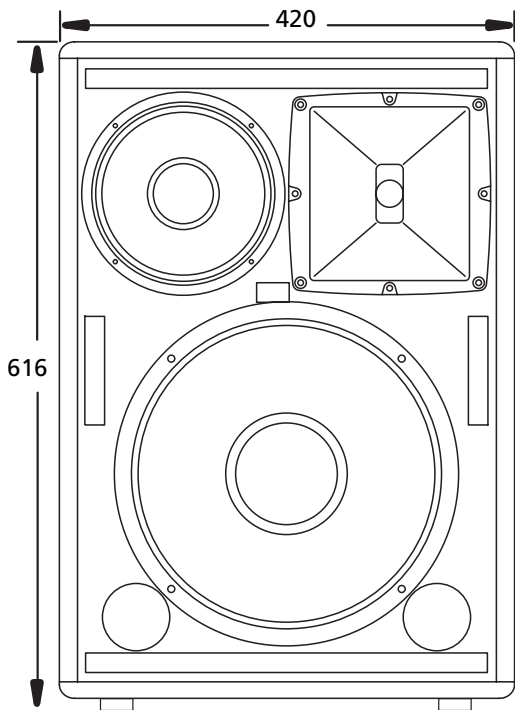
passive 3-way system



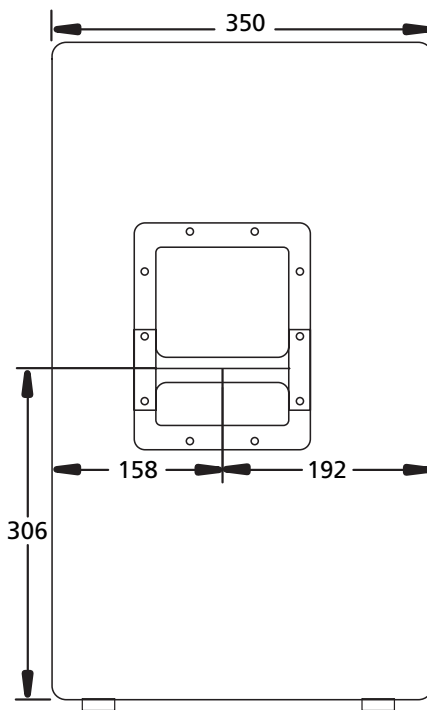
Input/link jack sockets (parallel connected): they are best suited as for mobile (touring) applications or when it is expected to frequently disconnect the system.

Neutrik Speakon® connectors: these are the better choice for critical installations, because the locking connector avoids accidental disconnection.

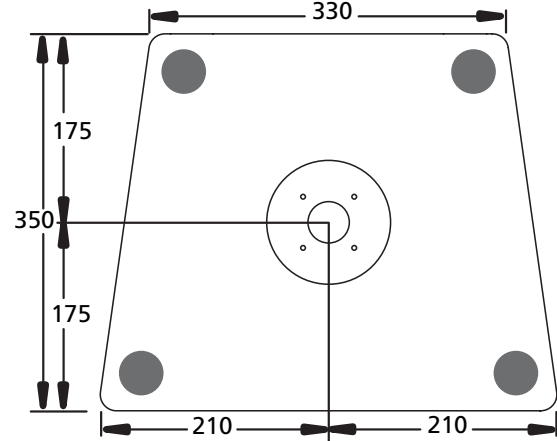
Front view



Side view



Bottom view



ALL UNITS IN MILLIMETERS