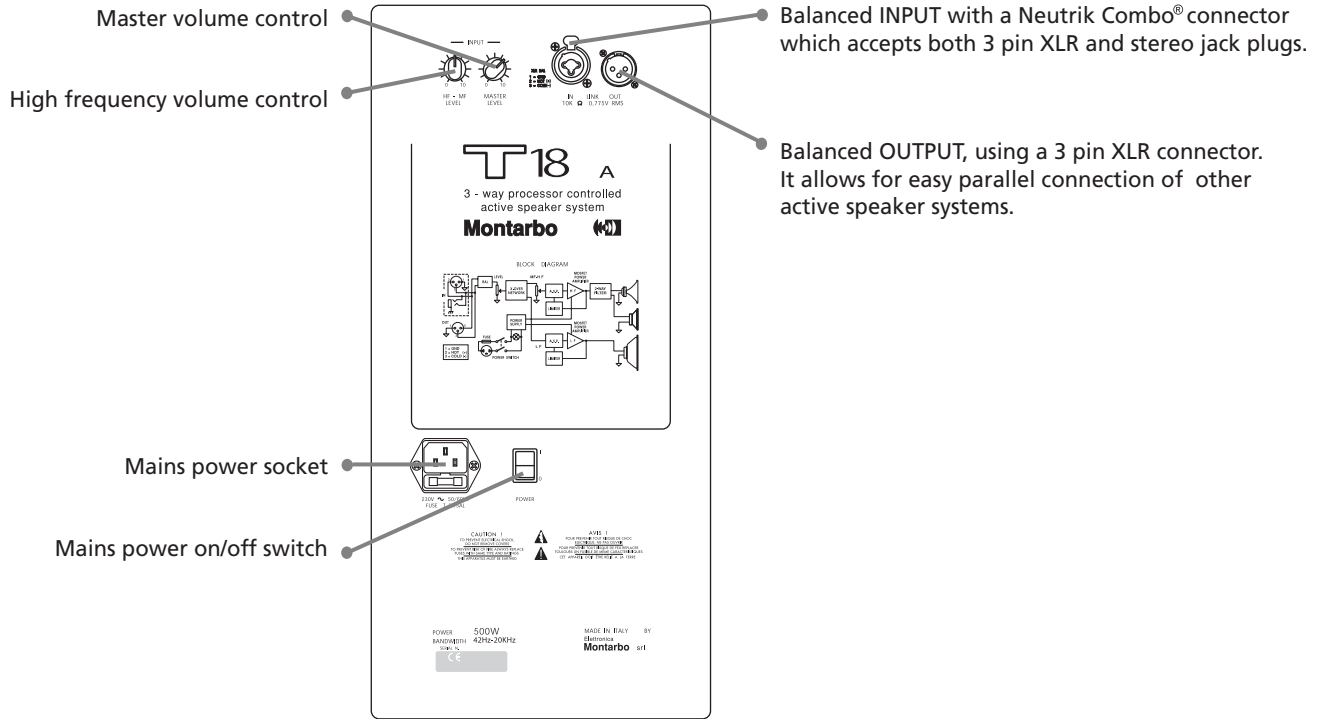


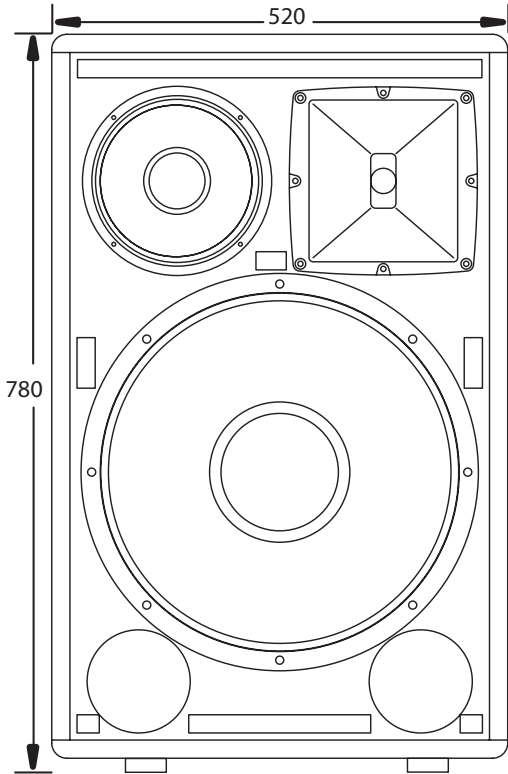


T18A

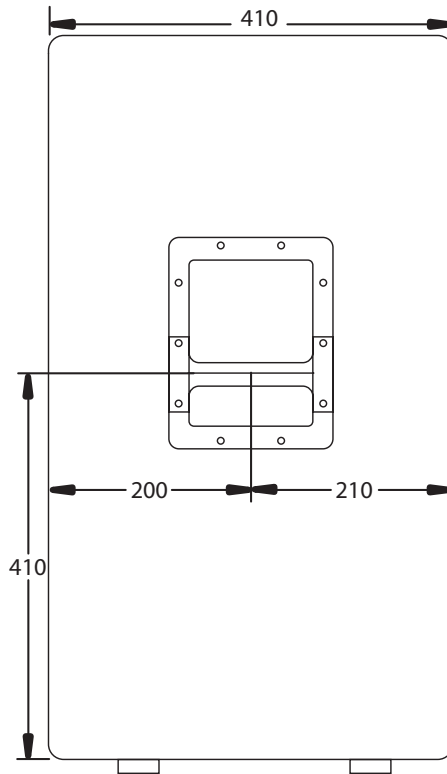
biamped, 3-way active system with 2 power amps, 2 processors and electronic cross-over



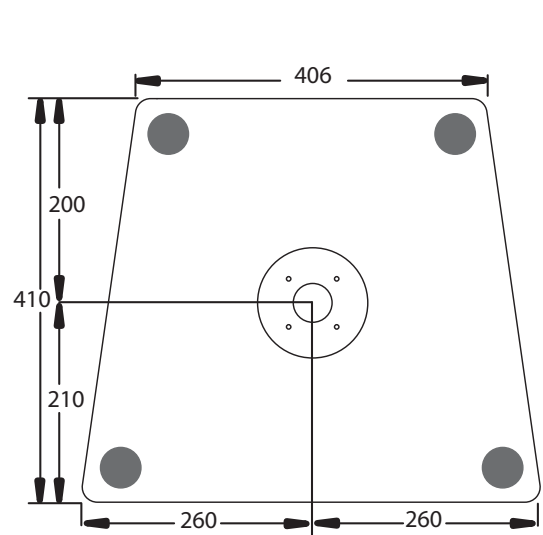
Front view



Side view



Bottom view



ALL UNITS IN MILLIMETERS