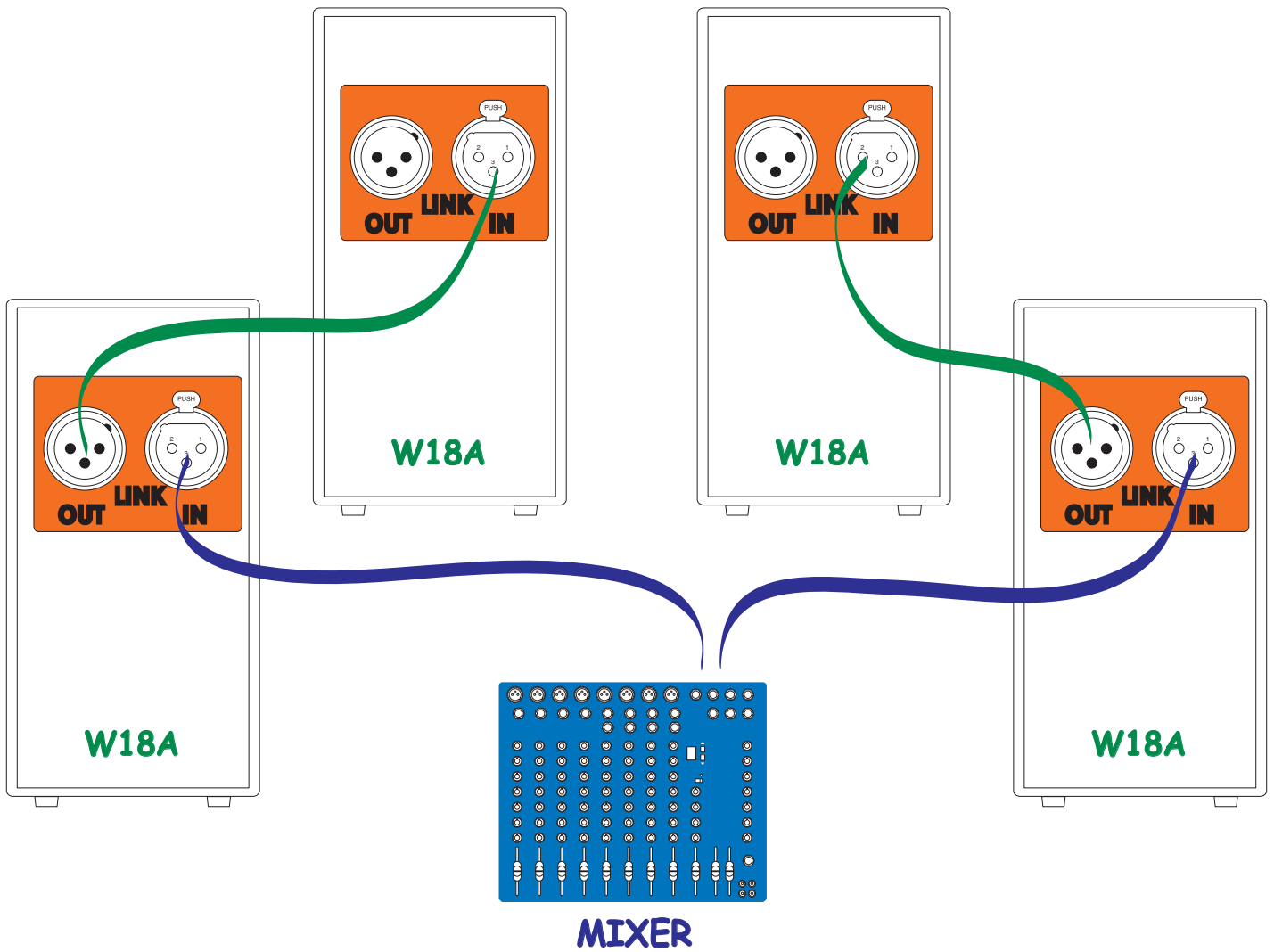




Parallel connection of two or more W18A

always use balanced shielded cables

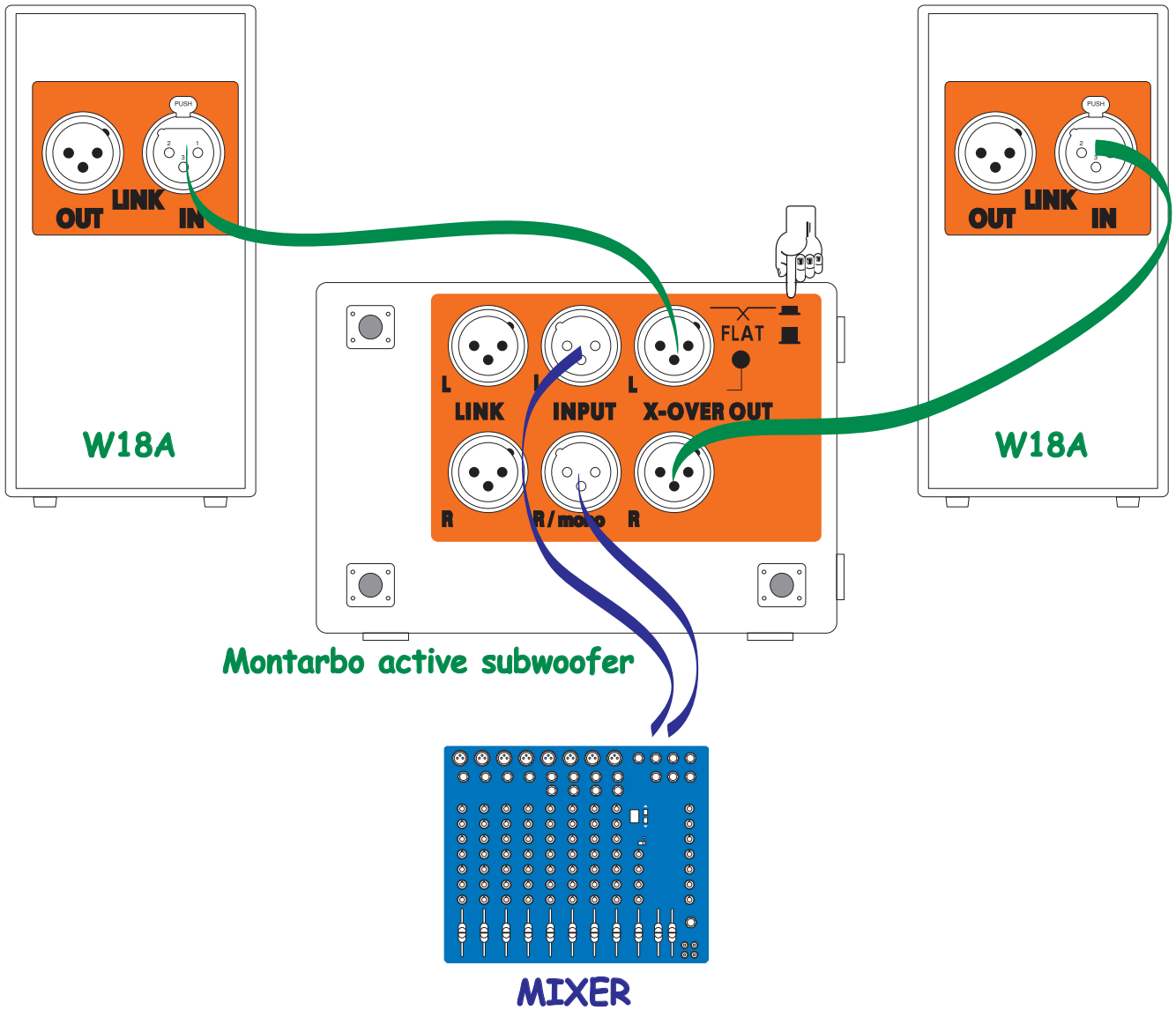


MIXER L/R OUTPUTS → W18A INPUTS
W18A OUTPUTS → INPUTS of other W18A



Two W18A + one active subwoofer

always use balanced shielded cables

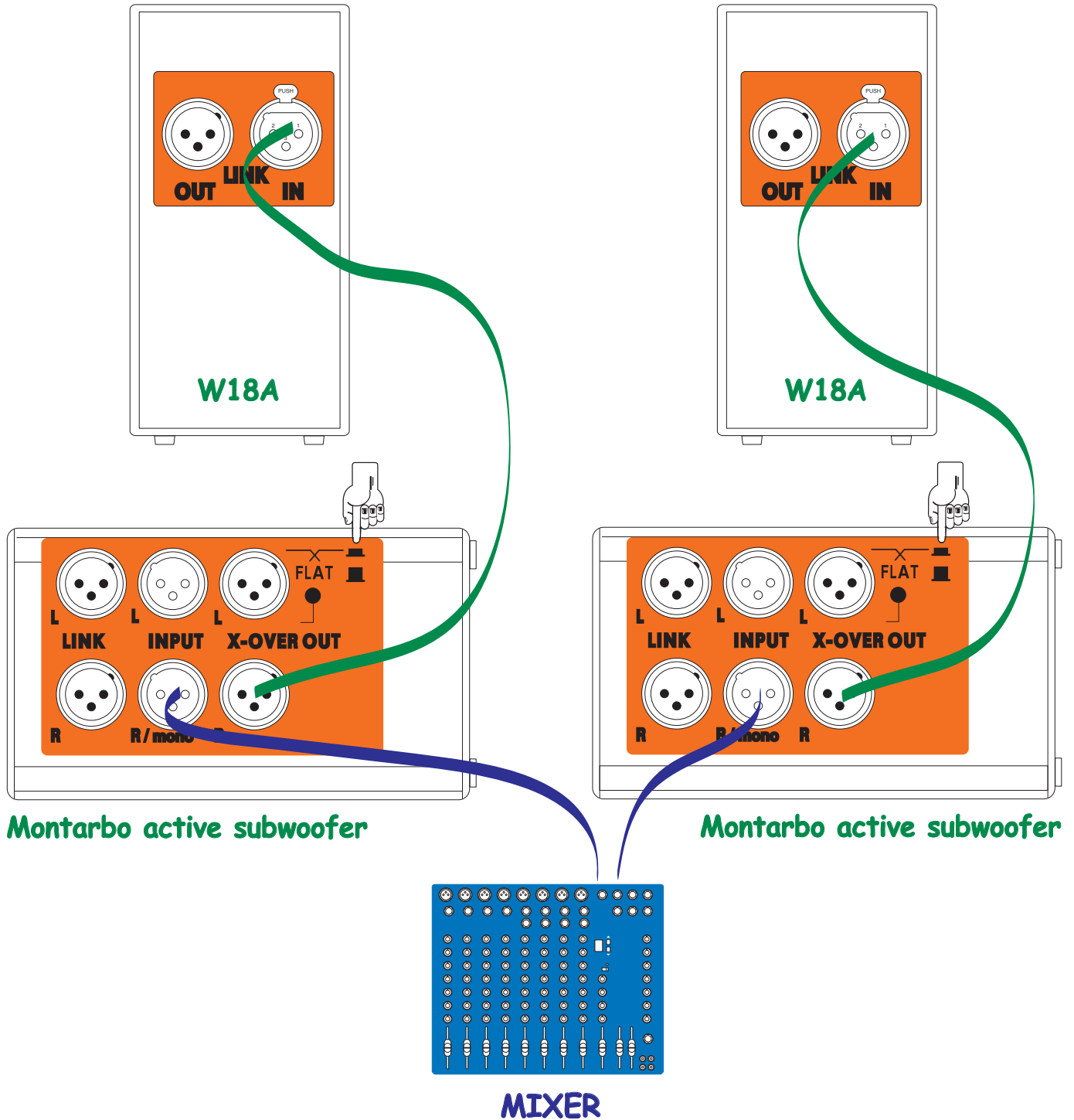


MIXER L/R OUTPUTS → SUBWOOFER L/R INPUTS
 SUBWOOFER L/R X-over OUTPUTS → W18A INPUTS



Two W18A + two active subwoofers

always use balanced shielded cables



MIXER L/R OUTPUTS → SUBWOOFERS 'R/mono' INPUTS
 SUBWOOFERS 'R' X-over OUTPUTS → W18A INPUTS