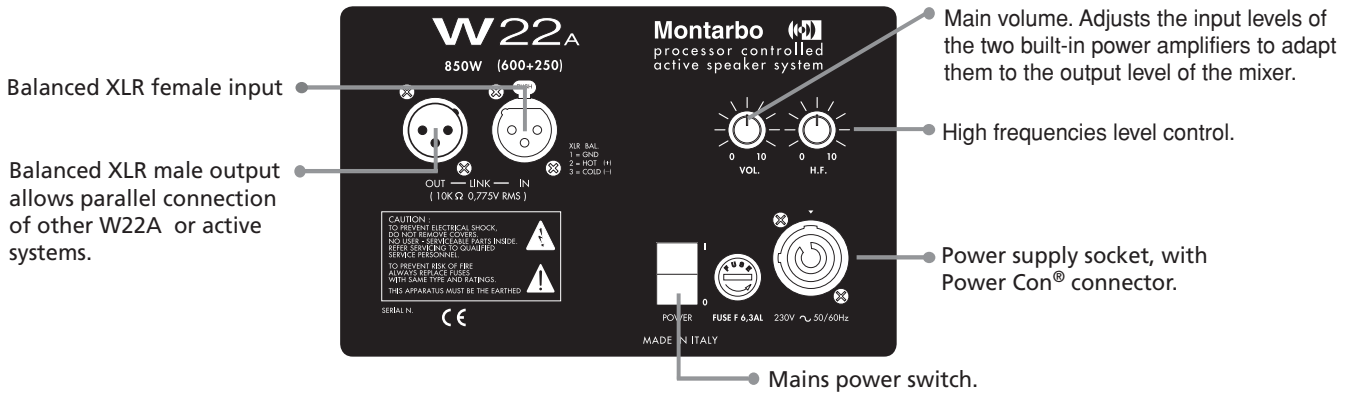


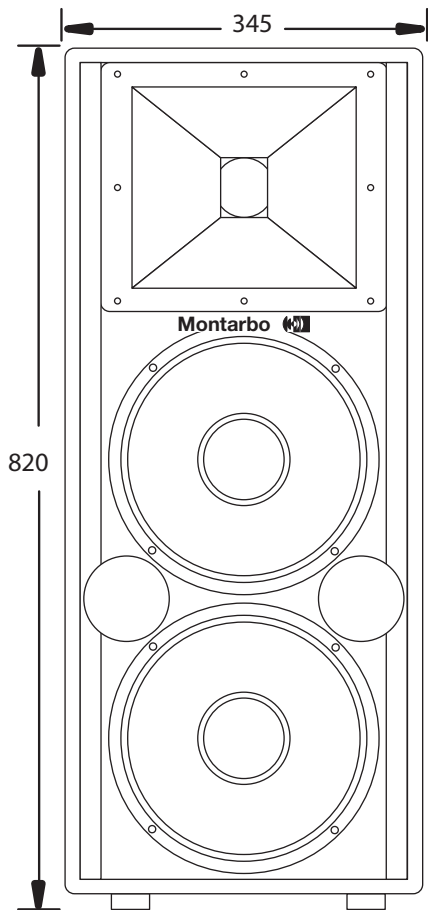


W22A

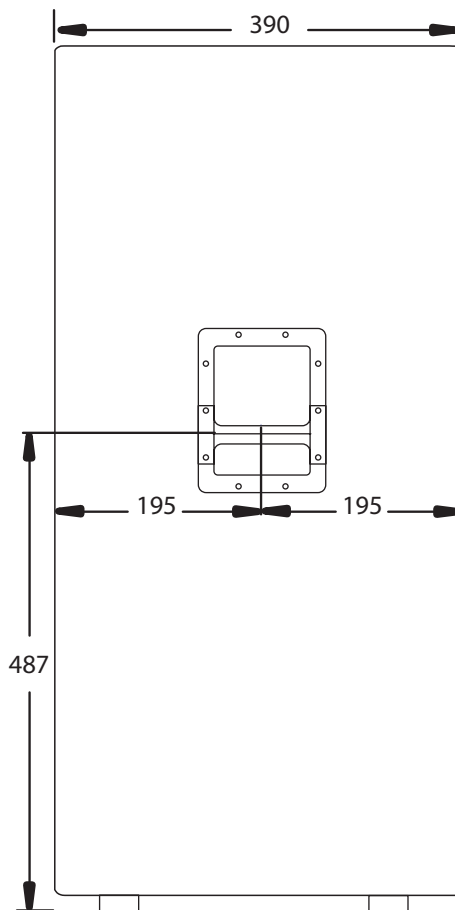
biamped, 2-way active system with 2 power amps, 2 processors and electronic cross-over



Front view



Side view



Bottom view

