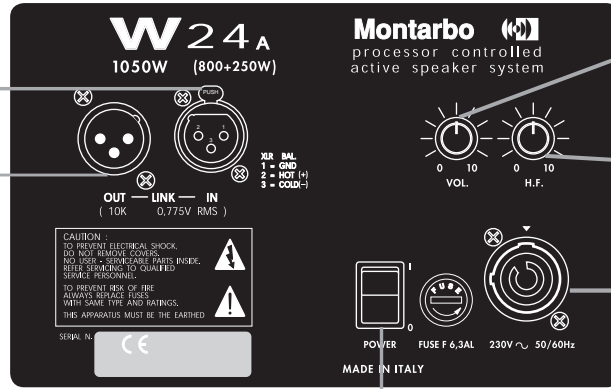




W24A

biamped, 2-way active system with 2 power amps, 2 processors and electronic cross-over



Balanced XLR female input

Balanced XLR male output allows parallel connection of other W24A or active systems

Main volume. Adjusts the input levels of the two built-in power amplifiers to adapt them to the output level of the mixer.

High frequencies level control.

Power supply socket, with Power Con® connector.

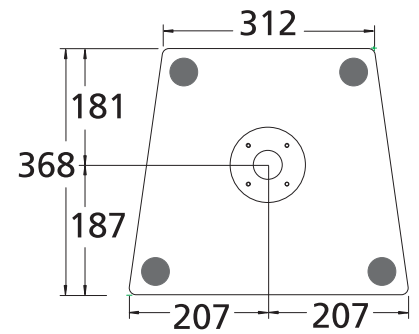
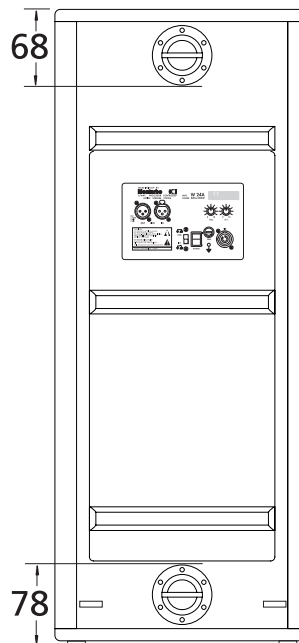
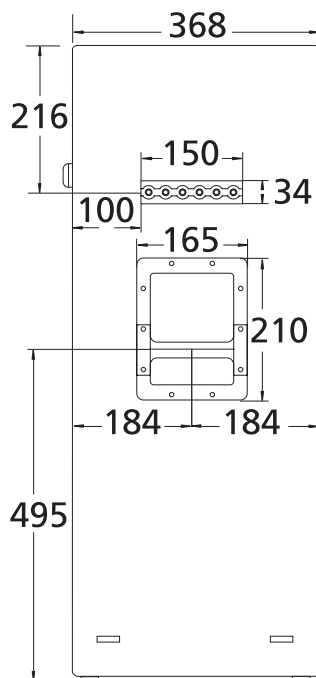
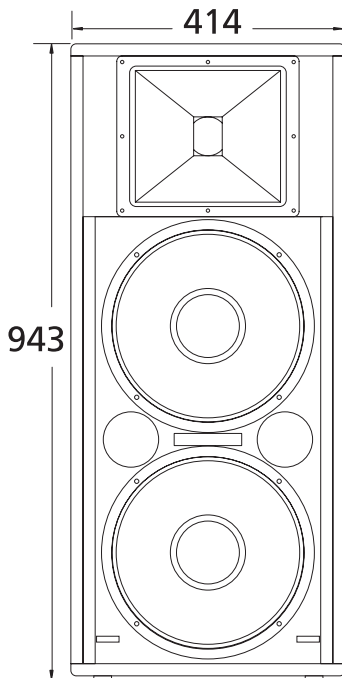
Mains power switch.

Front view

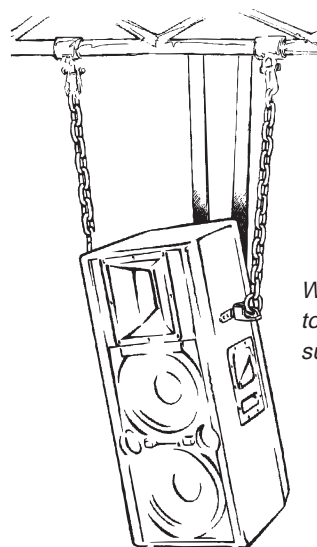
Side view

Rear view

Top view



ALL UNITS IN MILLIMETERS



W24A may be flown thanks to industry-standard fly-track suspension systems.

