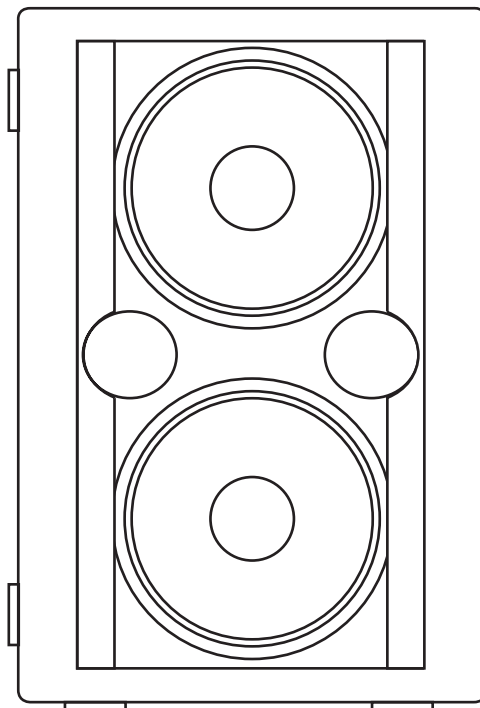
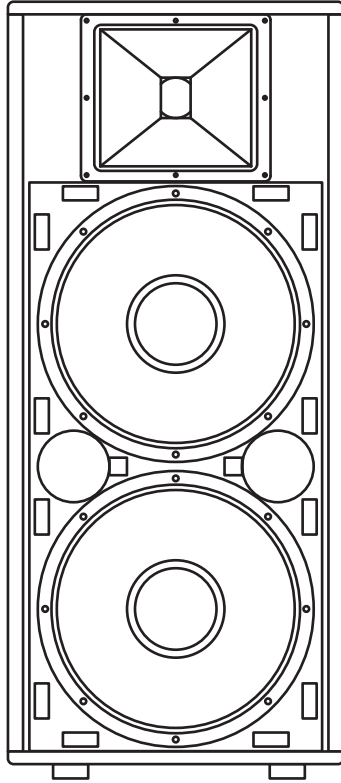




In the applications requiring an extension of the low frequency response, W28A combines perfectly with the Montarbo active subwoofer 218SA.

one W28A + one 218SA



active sub (1500W) with built-in stereo electronic X-over (100Hz, 24dB/oct)