

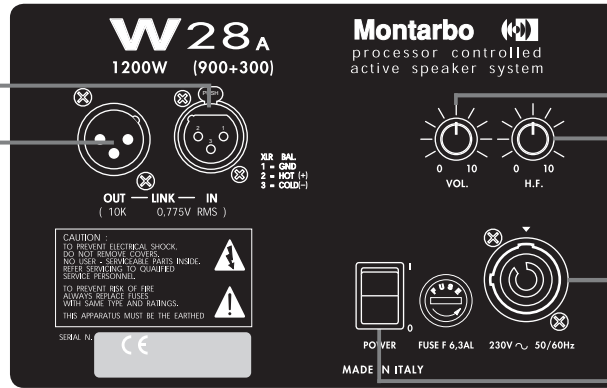


W28A

biamped, 2-way active system with 2 power amps, 2 processors and electronic cross-over

Balanced XLR female input

Balanced XLR male output allows parallel connection of other W24A or active systems.



Main volume. Adjusts the input levels of the two built-in power amplifiers to adapt them to the output level of the mixer.

High frequencies level control.

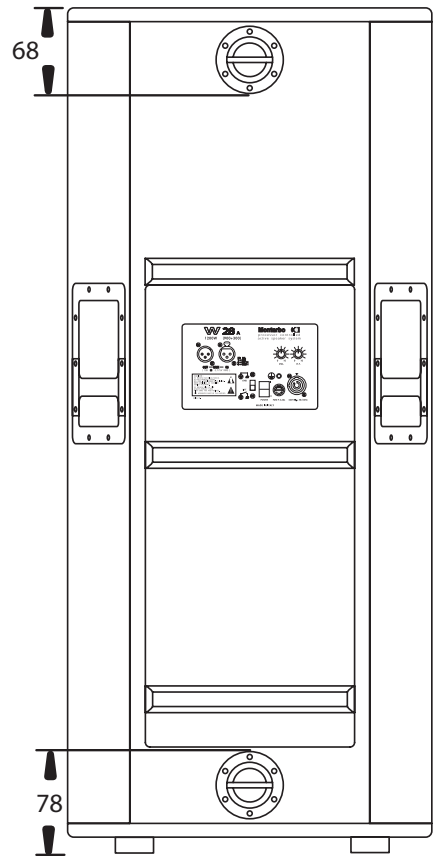
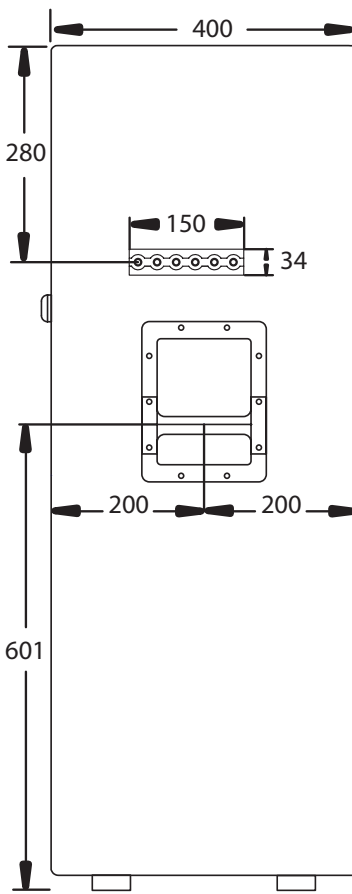
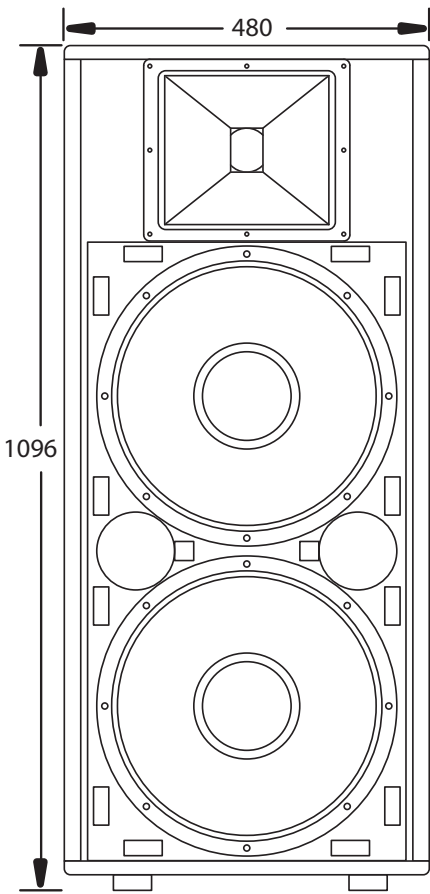
Power supply socket, with Power Con® connector.

Mains power switch.

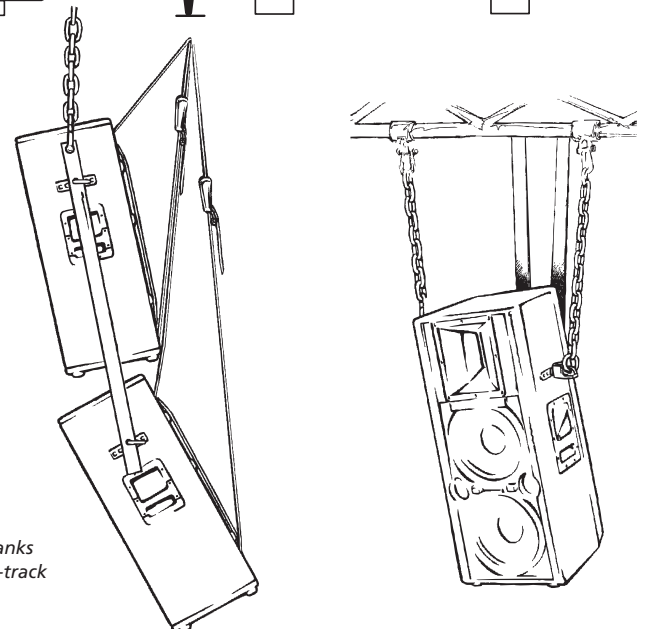
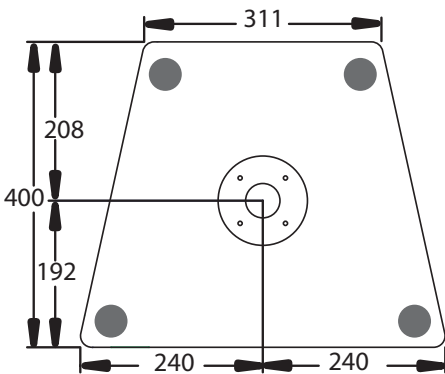
Front view

Side view

Rear view



Bottom view



W28A may be flown thanks to industry-standard fly-track suspension systems.

ALL UNITS IN MILLIMETERS