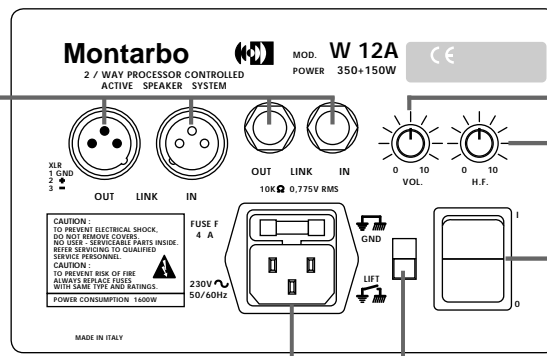


## W12A / W15A

the two models feature identical control and connection panels.

Balanced XLR male (OUT) and female (IN) sockets with balanced jacks wired in parallel. This allows for any combination of Jack or XLR connections, and for easier parallel connection of more W12A active systems.



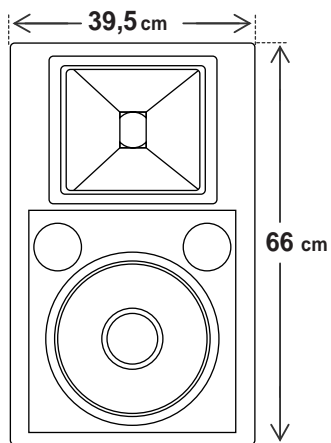
Main volume. Adjusts the input levels of the two built-in power amplifiers to adapt them to the output level of the mixer.

High frequencies level control.

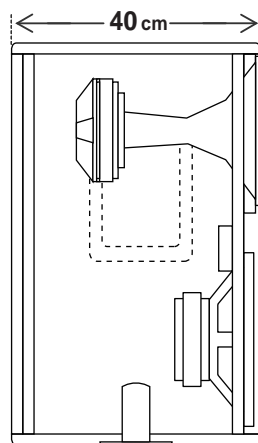
Mains power switch.

Power supply socket, with built-in fuse.

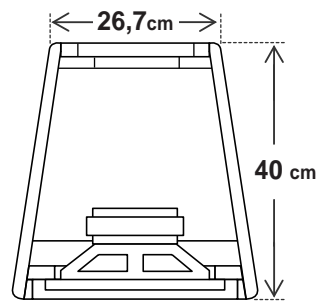
Ground-lift switch.



Front

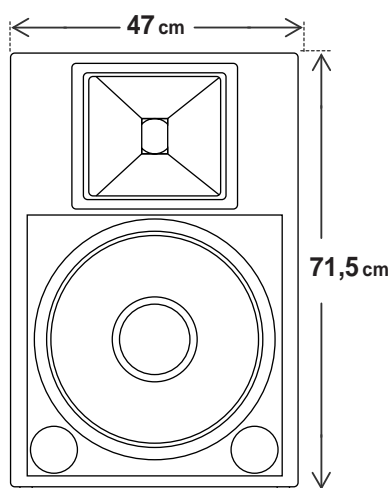


Side

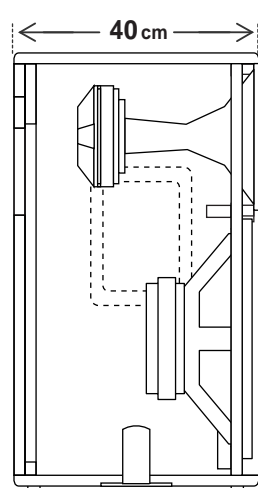


Top

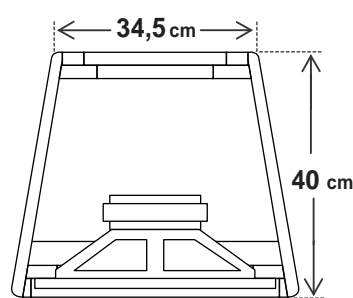
W12A



Front



Side



Top

W15A